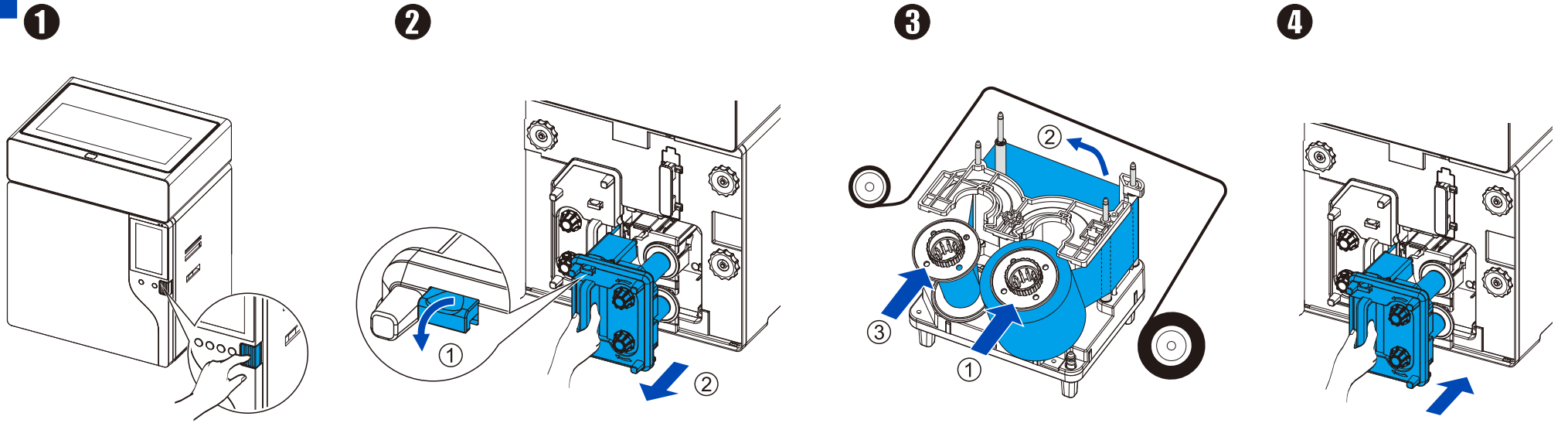
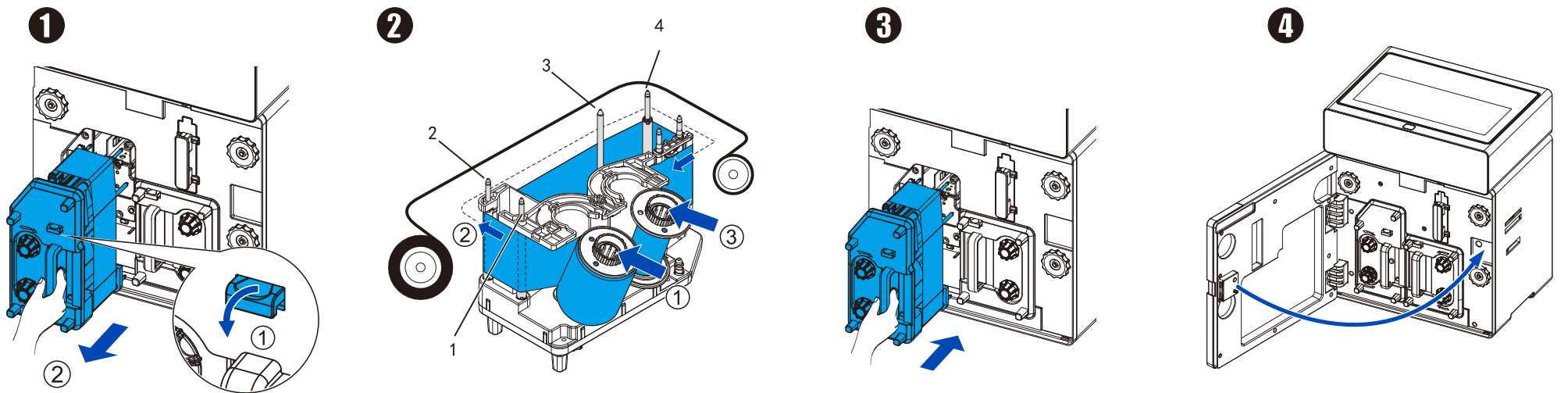


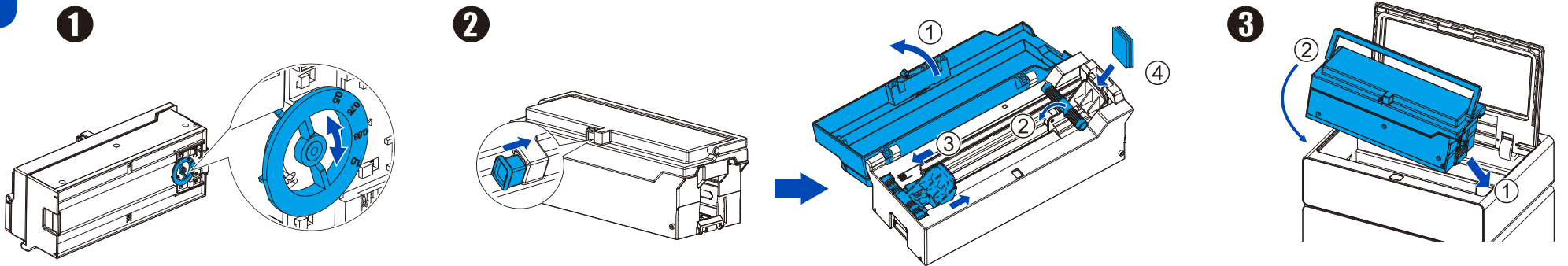
# 1 Ribbon



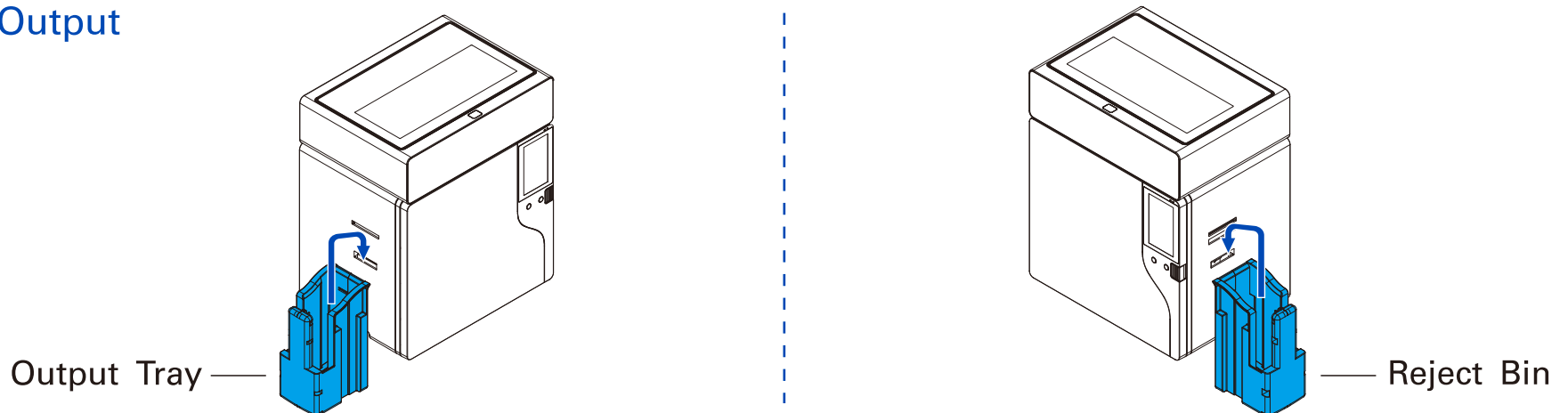
# 2 Film



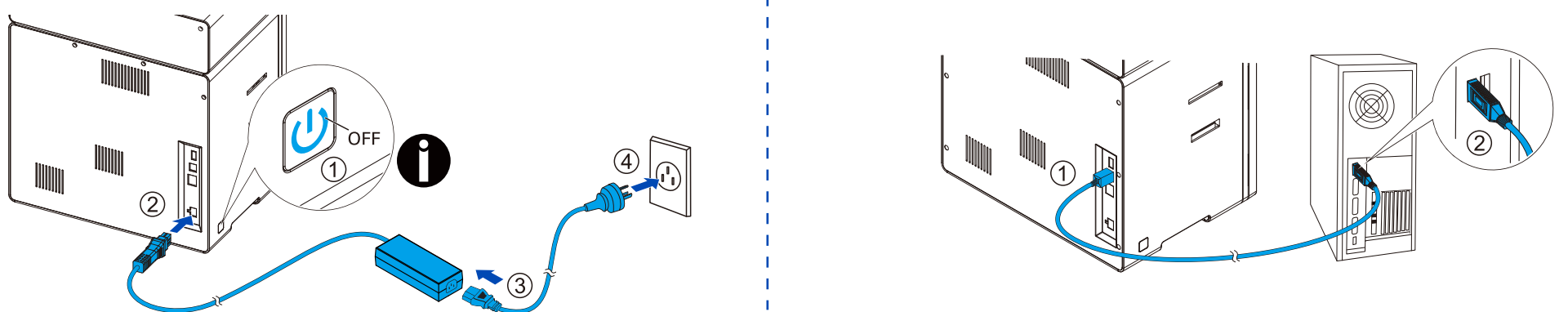
# 3 Card Input



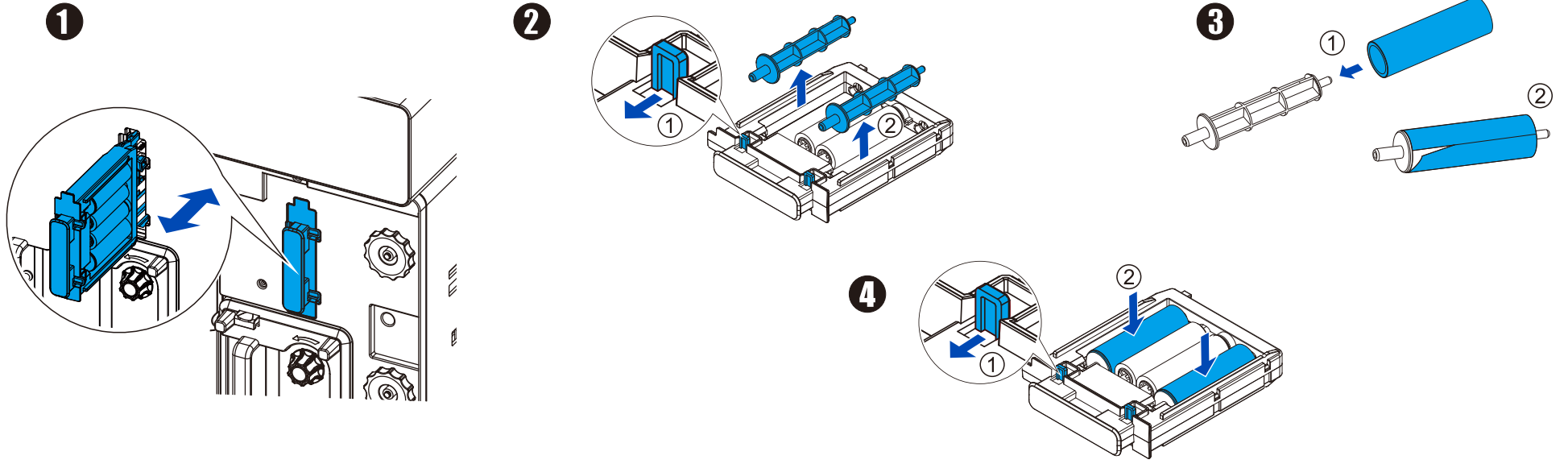
# 4 Card Output



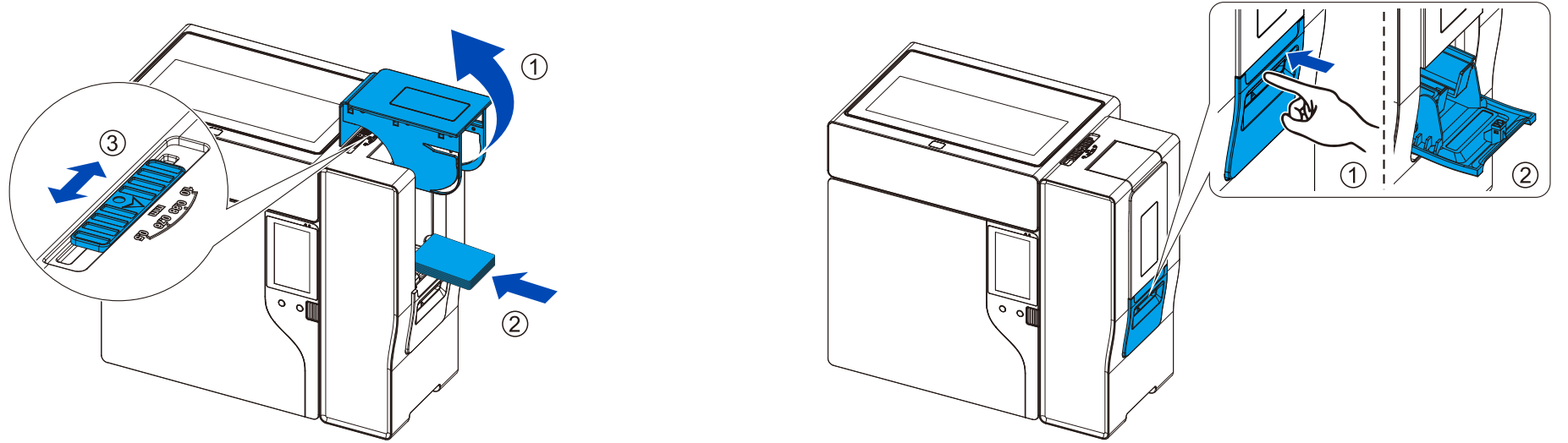
# 5 Power & USB



## 6 Disassembly and assembly of cleaning module



## 7 Option (card cassette)



# DC-8600 Card Printer

## Installation Guide

**DASCOM**

EN

### Installation Guide

Read the following instructions thoroughly before starting up your printer. For detailed information and safety recommendations, refer to the User Guide on the CD-ROM.

GE

### Installationshandbuch

Lesen Sie bitte diese Hinweise durch bevor sie den Drucker in Betrieb nehmen. Ausführliche Informationen und Sicherheitsempfehlungen finden Sie im User Guide auf der CD-ROM.

FR

### Guide d'installation

Lire attentivement les instructions suivantes avant de mettre l'imprimante en service. Pour plus d'informations et des recommandations concernant la sécurité, reportez-vous à l'User Guide sur le CD-ROM Online.

IT

### Guida di installazione

Prima di mettere in funzione la stampante, leggere attentamente le seguenti indicazioni. Per informazioni dettagliate e suggerimenti sulla sicurezza consultare il manuale User Guide sul CD-ROM online.

SP

### Guía de instalación

Lea las siguientes instrucciones detalladamente antes de poner la impresora en funcionamiento. Para obtener información detallada y recomendaciones sobre seguridad consulte la Guía de Usuario en la documentación en el CD-ROM.

RU

### Руководство по установке

Прочитайте, пожалуйста, инструкцию по технике безопасности перед включением в работу принтера. Подробная информация и инструкция по технике безопасности Вы найдете в руководстве пользователя на CD-ROM.

PT

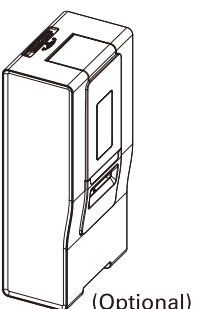
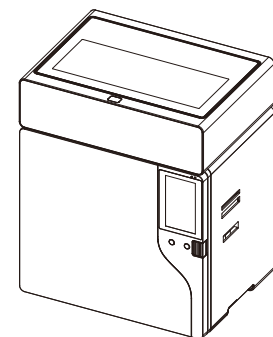
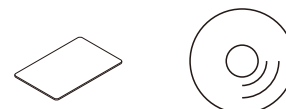
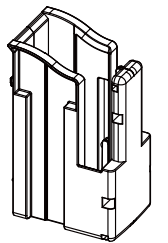
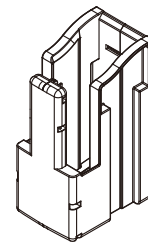
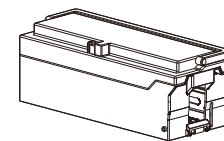
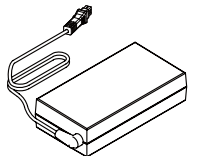
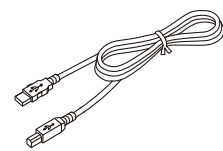
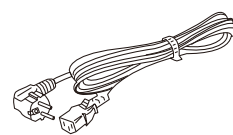
### Manual de instalação

Leia as instruções deste produto antes de usar a impressora. Para obter informações de segurança, consulte o Guia do Usuário e o CD-ROM da impressora.

TR

### Kurulum kılavuzu

Yazıcınızı çalıştırmadan önce, aşağıda belirtilen talimatların hepsini okuyunuz. Detaylı bilgi ve güvenli çalışma tavsiyeleri için, CD-ROM üzerinde bulunan kullanım kılavuzuna başvurunuz.



Note: The packing list may vary depending on customization requirements

### DASCOM REPRESENTATIVES:

DASCOM Europe GmbH, Heuweg 3, D-89079 Ulm, Germany  
 DASCOM GB Ltd, Hart House, Priestley Road, Basingstoke, Hampshire, RG24 9PU, England  
 DASCOM AP Pte Ltd, 2 Jurong East Street 21, #05-42, IMM Building, Singapore 609601  
 DASCOM Americas LLC, 34 Lakeview Court, Verona, VA 24482, USA

Copyright © 2023 Dascom

www.dascom.com

21.511.894.0010R