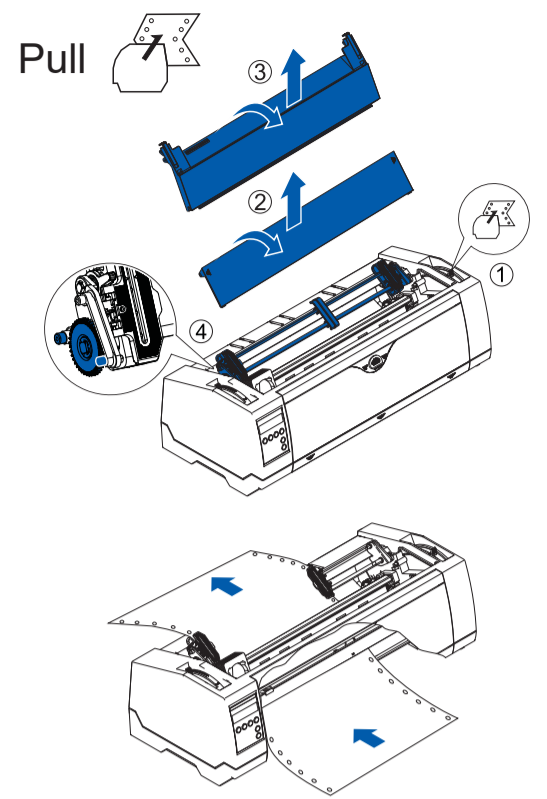
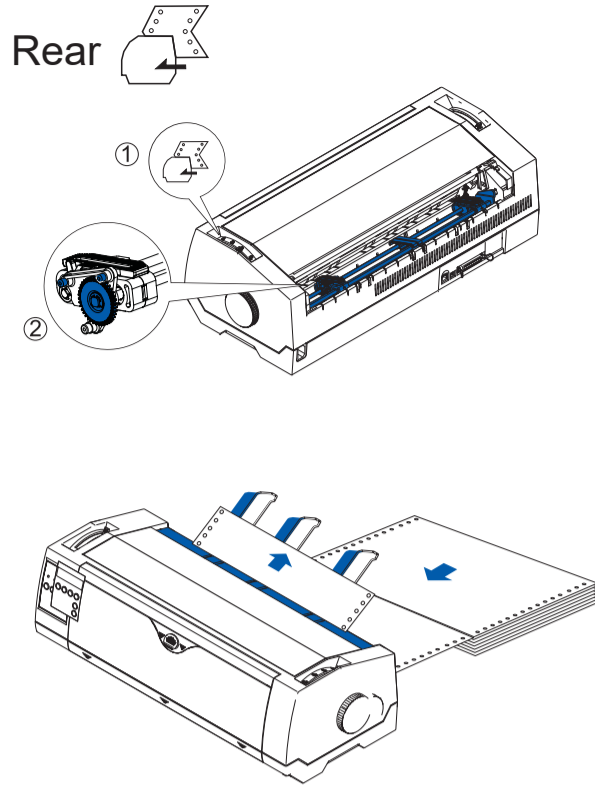
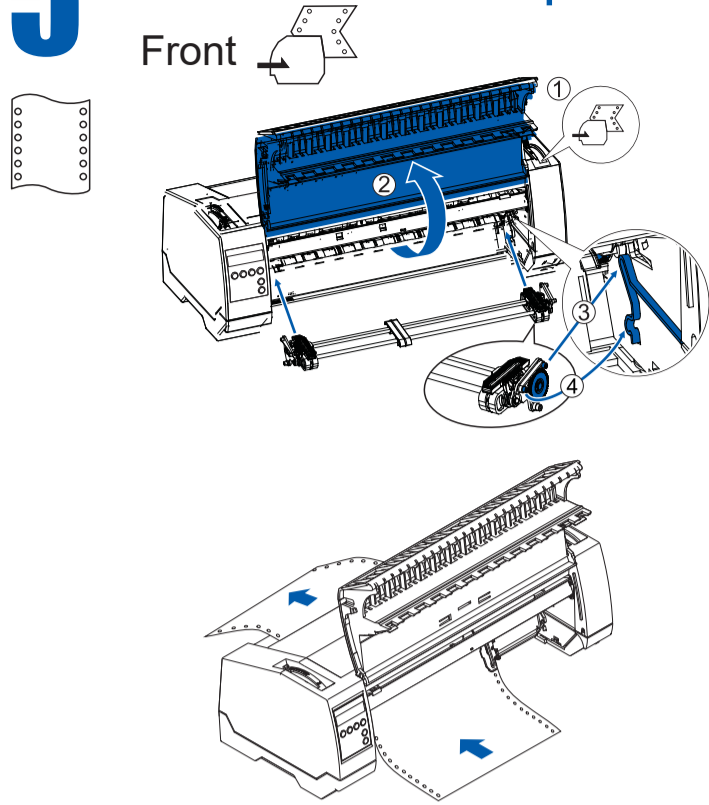
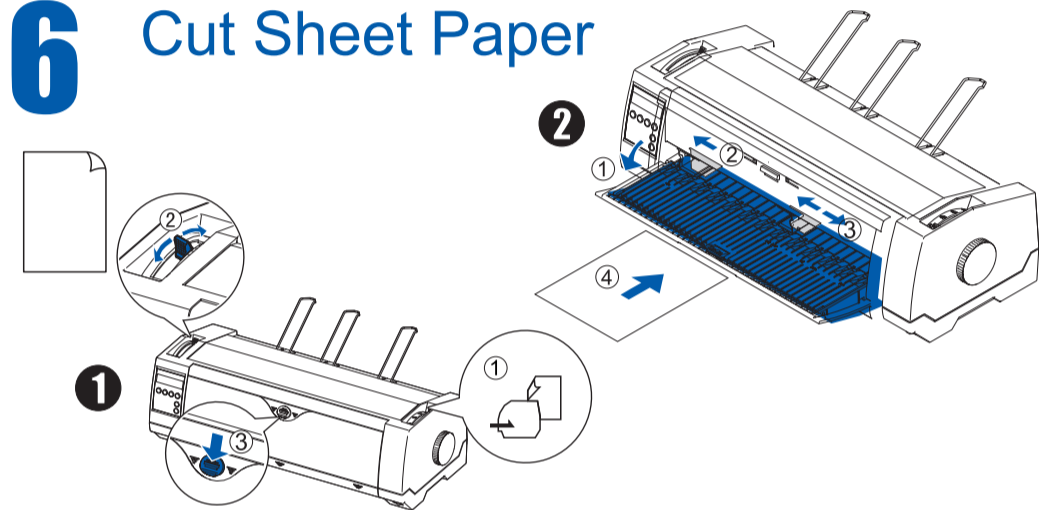


5 Continuous Paper



6 Cut Sheet Paper



Questions



A.



CD-ROM

User Guide

B.

<http://www.dascom.com>

2600+/2610+/4347 -i06 n/w

Installation Guide

Tally
DASCOM

EN

Installation Guide

Read the following instructions thoroughly before starting up your printer. For detailed information and safety recommendations, refer to the User Guide on the CD-ROM.

GE

Installationshandbuch

Lesen Sie bitte diese Hinweise durch bevor sie den Drucker in Betrieb nehmen. Ausführliche Informationen und Sicherheitsempfehlungen finden Sie im User Guide auf der CD-ROM.

FR

Guide d'installation

Lire attentivement les instructions suivantes avant de mettre l'imprimante en service. Pour plus d'informations et des recommandations concernant la sécurité, reportez-vous à l'User Guide sur le CD-ROM Online.

IT

Guida di installazione

Prima di mettere in funzione la stampante, leggere attentamente le seguenti indicazioni. Per informazioni dettagliate e suggerimenti sulla sicurezza consultare il manuale User Guide sul CD-ROM online.

SP

Guía de instalación

Lea las siguientes instrucciones detalladamente antes de poner la impresora en funcionamiento. Para obtener información detallada y recomendaciones sobre seguridad consulte la Guía de Usuario en la documentación en el CD-ROM.

RU

Руководство по установке

Прочитайте, пожалуйста, инструкцию по технике безопасности перед включением в работу принтера. Подробная информация и инструкция по технике безопасности Вы найдете в руководстве пользователя на CD-ROM.

PT

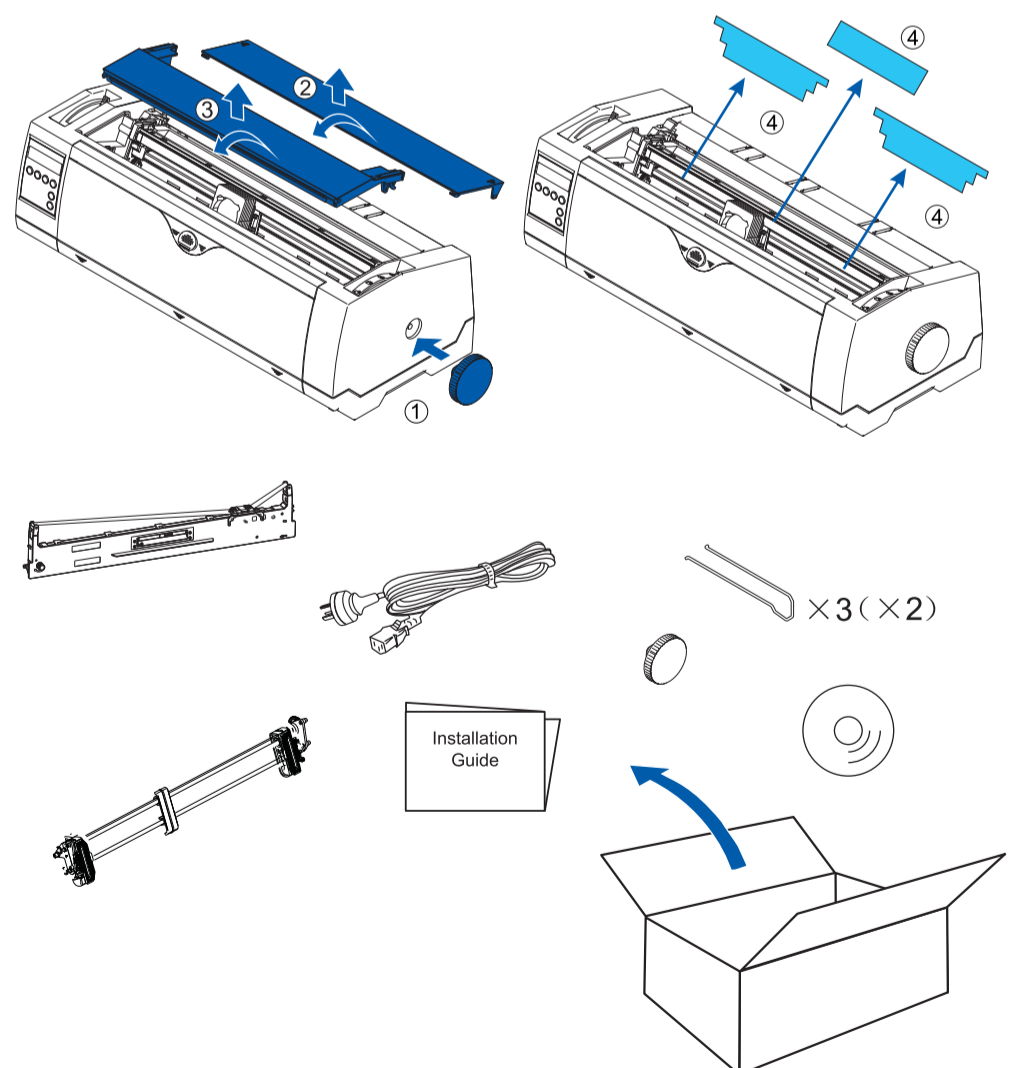
Manual de instalação

Leia as instruções deste produto antes de usar a impressora. Para obter informações de segurança, consulte o Guia do Usuário e o CD-ROM da impressora.

TR

Kurulum kılavuzu

Yazıcınızı çalıştırmadan önce, aşağıda belirtilen talimatların hepsini okuyunuz. Detaylı bilgi ve güvenli çalışma tavsiyeleri için, CD-ROM üzerinde bulunan kullanım kılavuzuna başvurunuz.



DASCOM REPRESENTATIVES:

DASCOM Europe GmbH, Heuweg 3, D-89079 Ulm, Germany
DASCOM GB Ltd, Hart House, Priestley Road, Basingstoke, Hampshire, RG24 9PU, England
DASCOM AP Pte Ltd, 21 Bukit Batok Crescent, #29-81, WCEGA Tower, Singapore 658065
DASCOM Americas Corporation, 34 Lakeview Court, Verona, VA 24482, USA

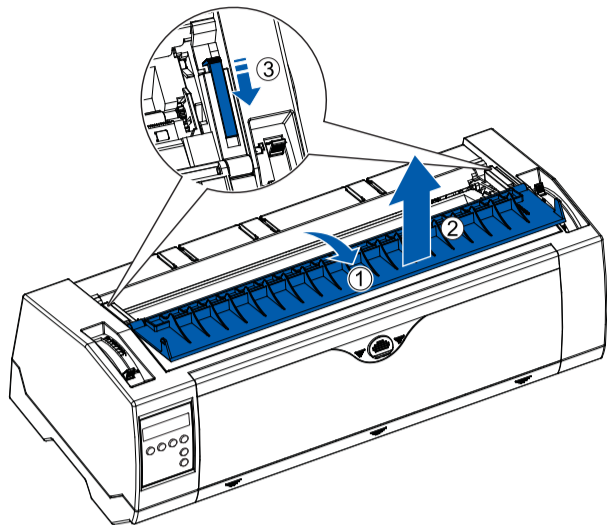
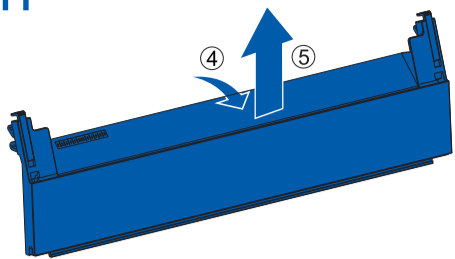
Copyright © 2016 Dascom

www.dascom.com

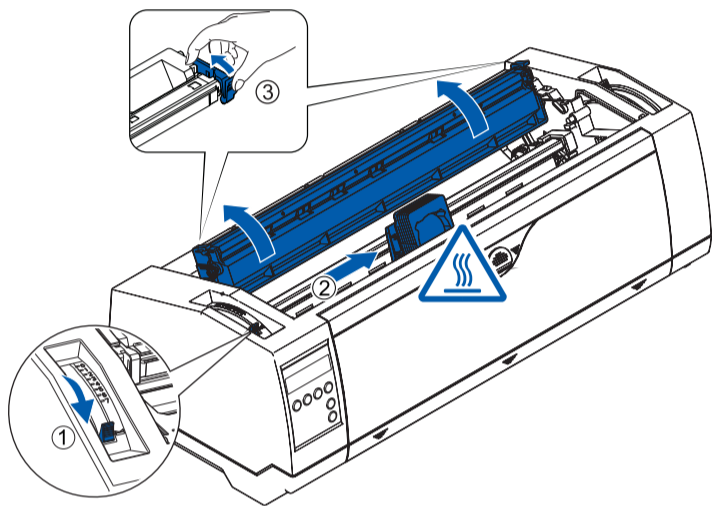
21.511.834.0020R

1 Ribbon

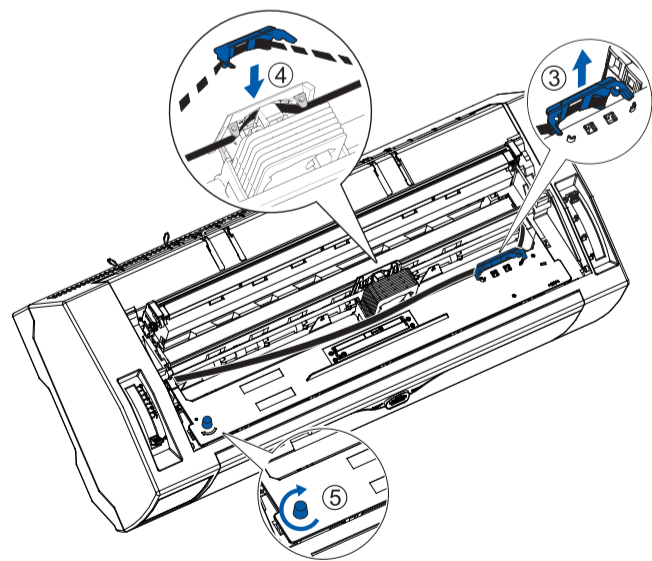
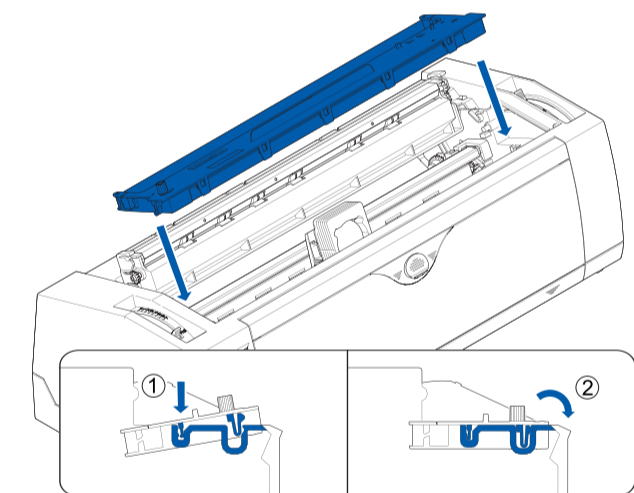
1



2

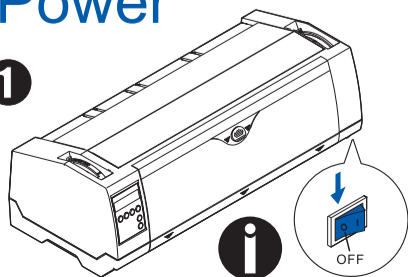


3

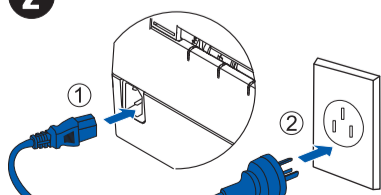


2 Power

1

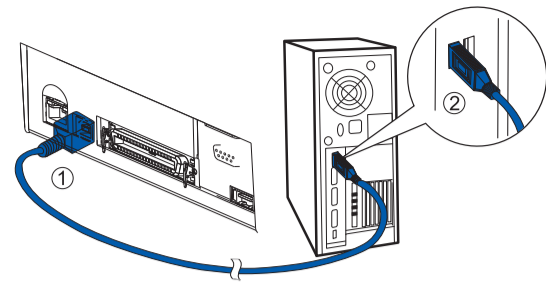


2

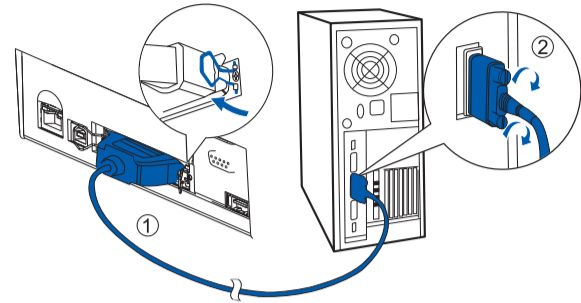


3 Interfaces

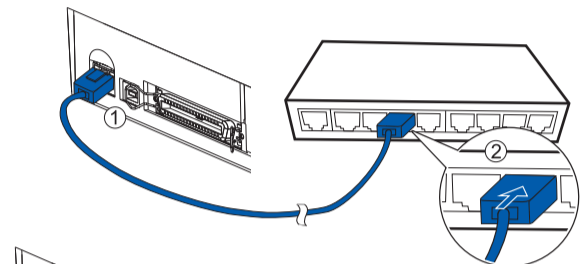
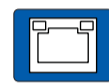
1



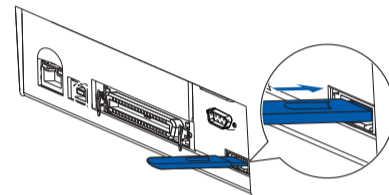
2



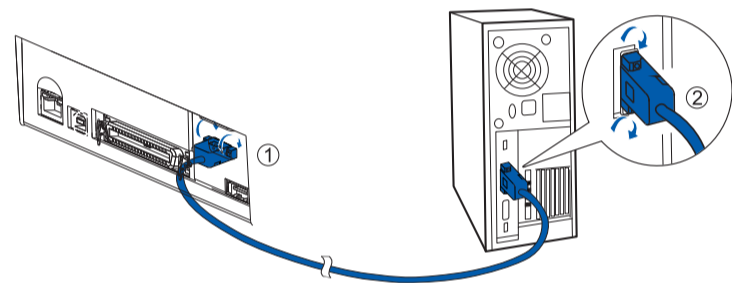
3



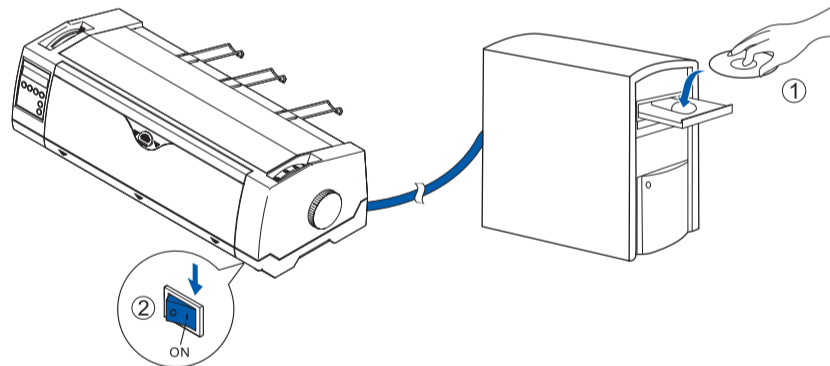
4



Option



4 Driver



Windows

